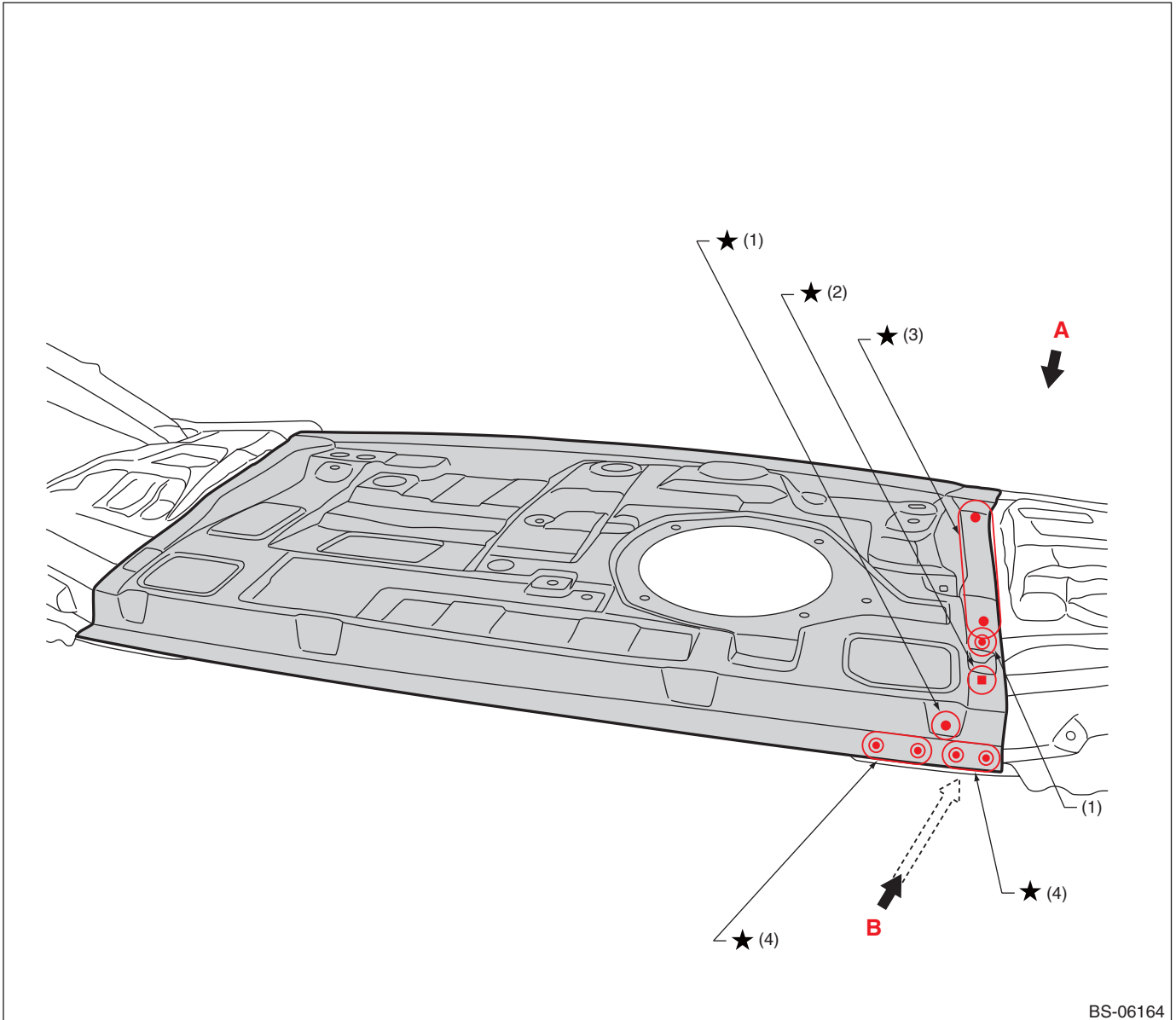


# Panel Replacement

## B: INSTALLATION

### • Overall view



(1) 1 point

(2) 1 point (service)

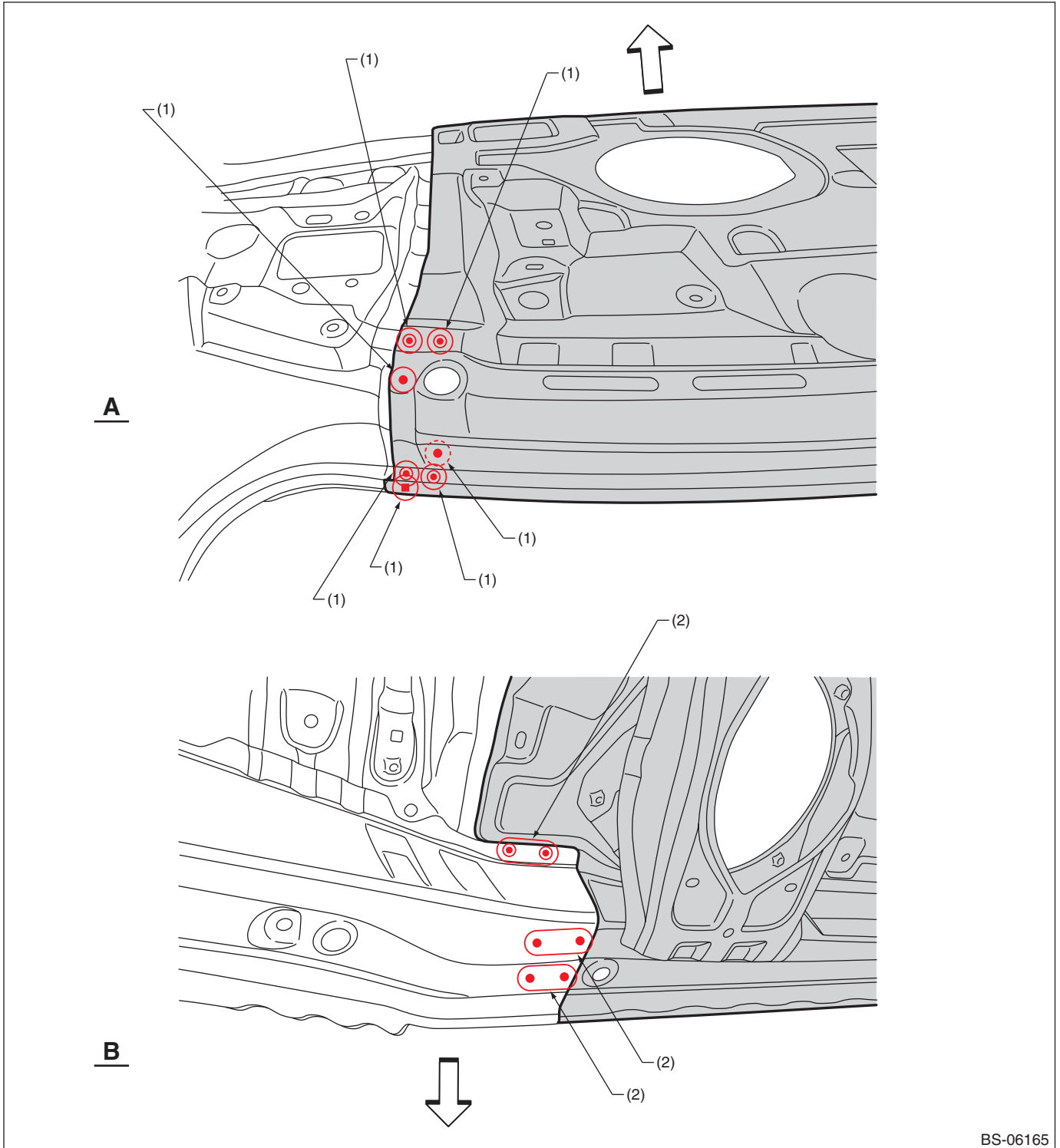
(3) 6 points

(4) 2 points

For locations marked by “★”: the welding method and the number of welding points are the same on the left and the right.

# Panel Replacement

## • Views



BS-06165

(1) 1 point

(2) 2 points